

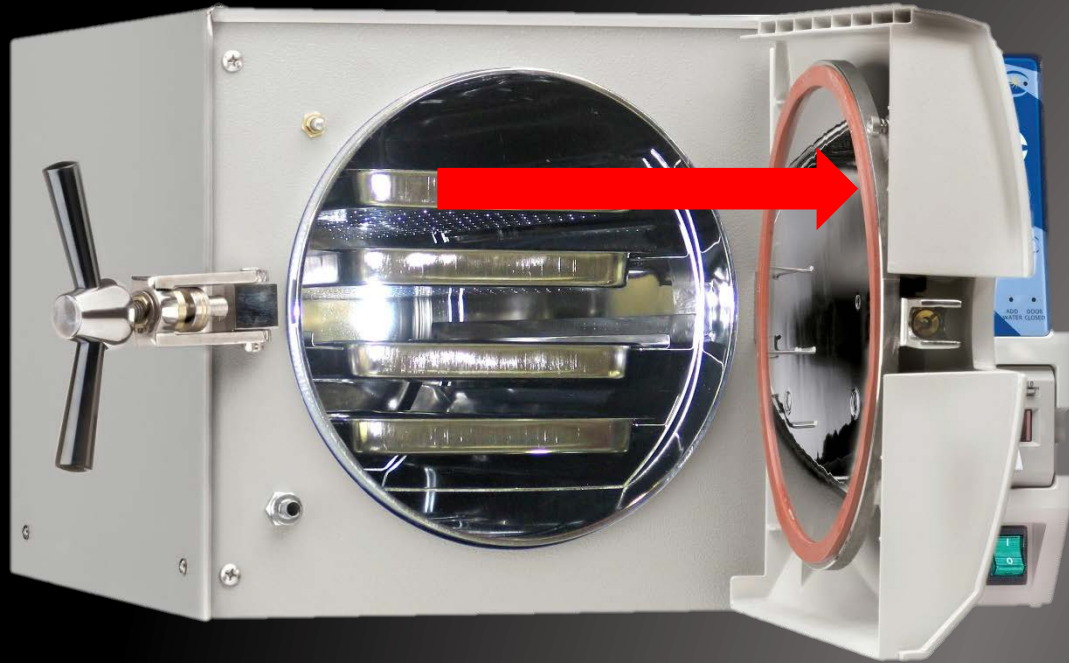


EZ Autoclave User Self Help: "Replacing Door Gasket" *(EZ10, EZ10K, and EZ9)*



To avoid injuries replace
the gasket while the
autoclave and
autoclave door are cold.



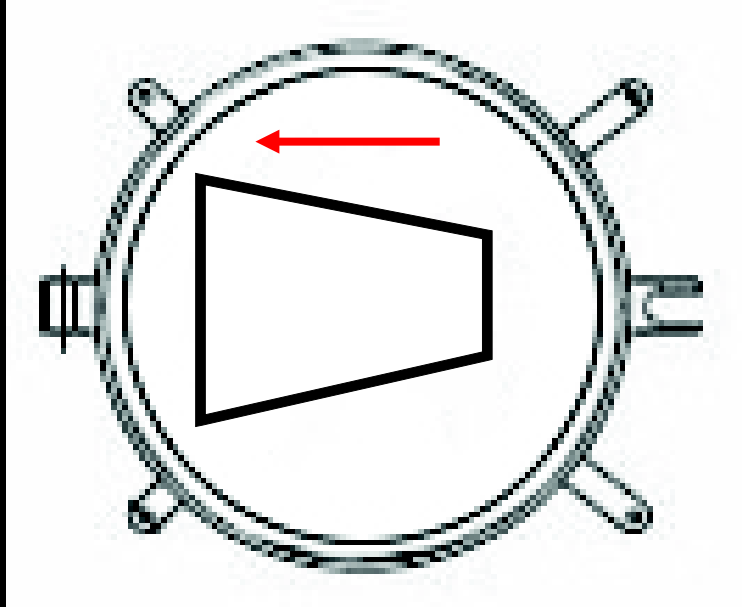


Step 1
Pull the old gasket out of the groove. There is no glue or retaining clips holding it in.



Tuttnauer[™]
Your Sterilization & Infection Control Partners

DOOR GASKET CROSS SECTION

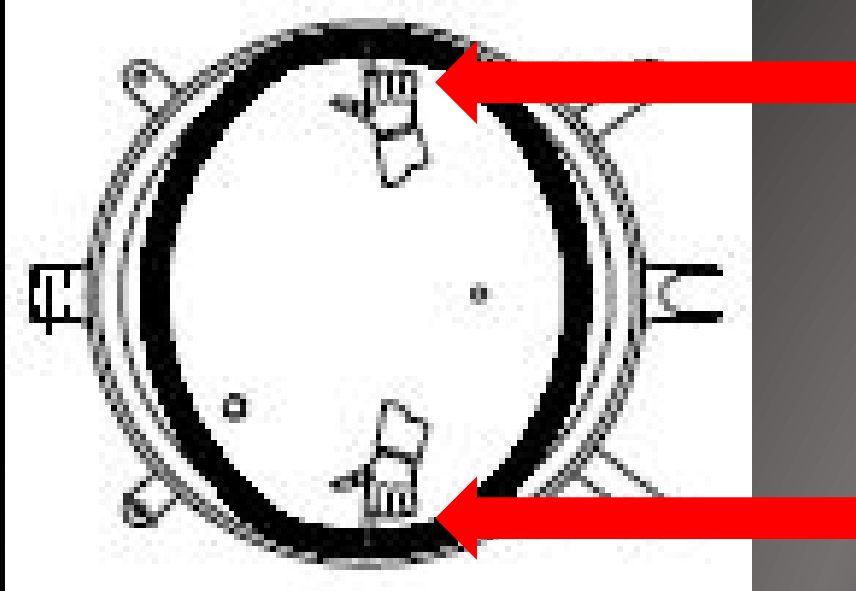


CAUTION!

This gasket is designed with a trapezoidal cross section. The gasket should be placed with the widest side towards the door.

Thicker side of door gasket goes into the door groove

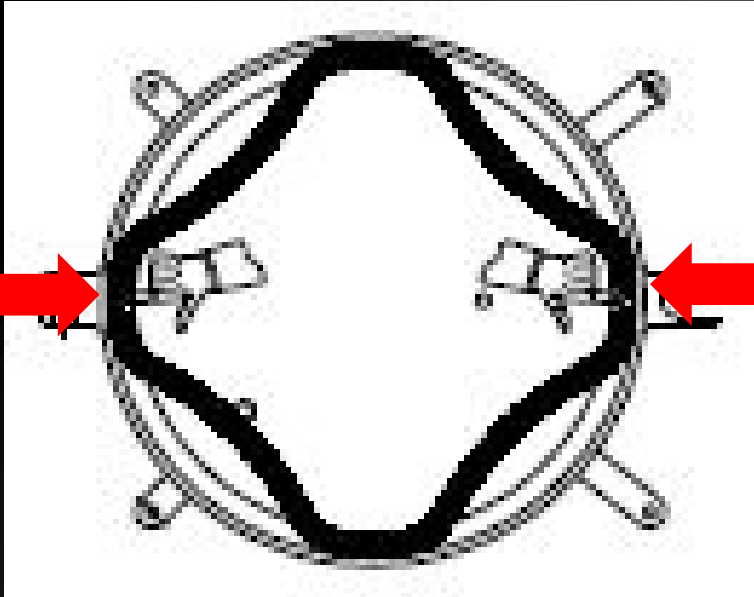




Step 2

Start by pressing the new gasket into the groove at the top and then the bottom.

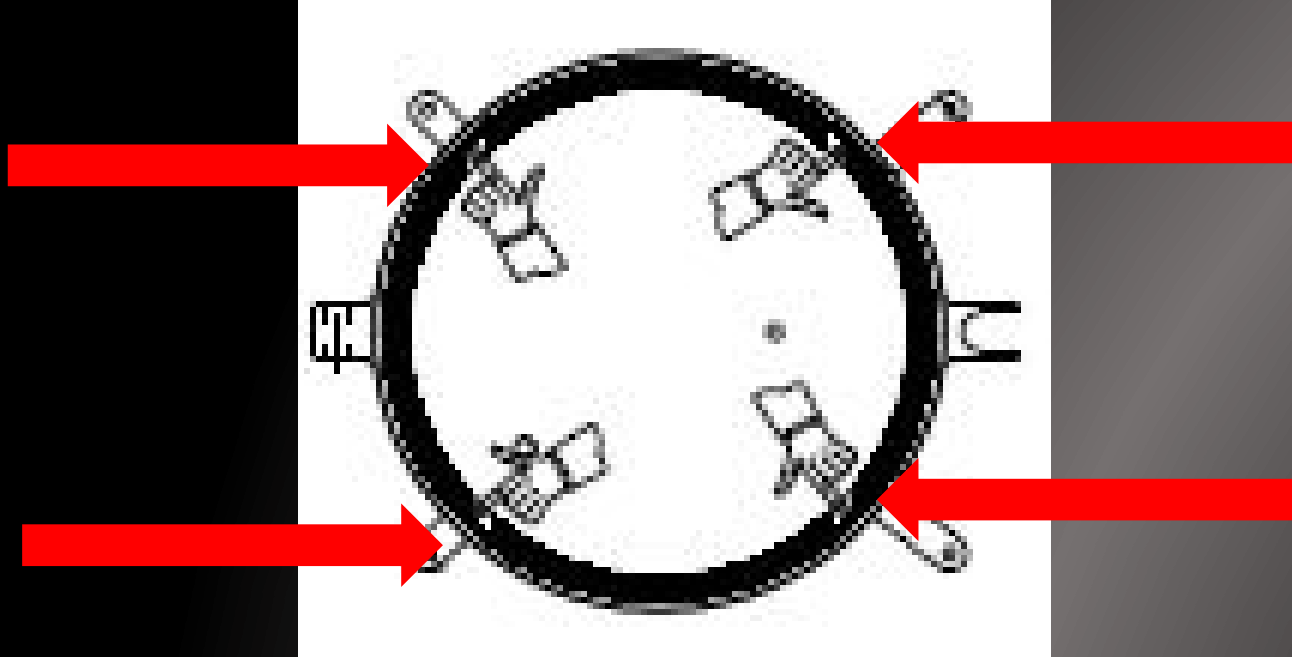




Step 3

Next press the new gasket into the groove left and right

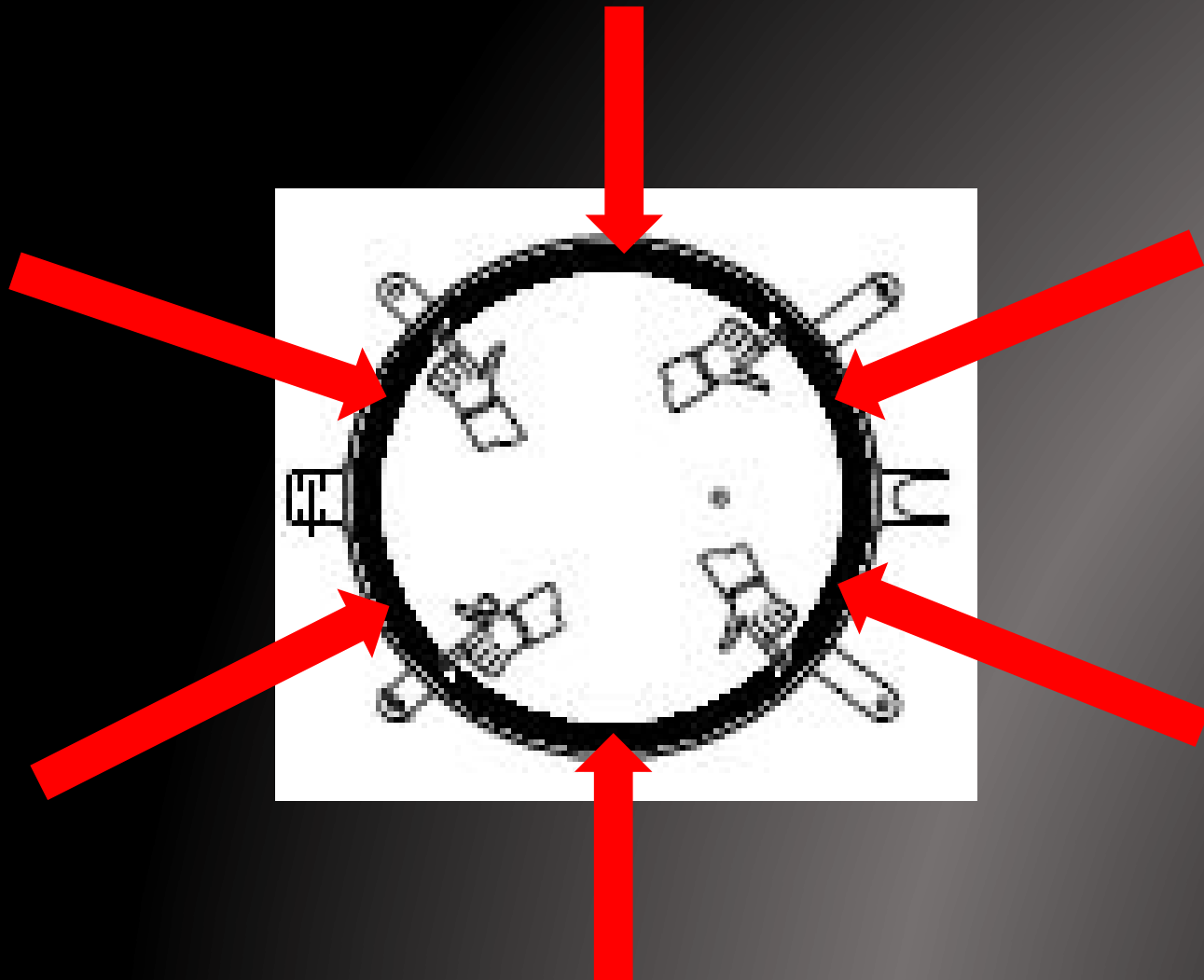




Step 4

Next press the new gasket into the groove in between top, bottom, left and right





Step 5

Press in any remaining parts of the gasket that were not pressed in.

The gasket may look lumpy, but closing the door and running a cycle will flatten it out.

